



BCS Motor mowers, BCS 2-wheel tractors

615SL MAX

Serial number A001070708

18/06/2024

A60002 - 615SL MAX.....	3
C.01.02.A0019_04 - ENGINE GUARDS.....	5
D.01.02.A0051_07 - CLUTCH.....	7
E.01.02.A0019_05 - GEARBOX.....	9
F.02.02.A0019_05 - GEARS.....	11
G05_1_141570 - DIFFERENTIAL.....	14
H.01.02.A0019_04 - STEERING COLUMN.....	16
I.01.02.A0019_04 - HANDLEBAR.....	19
J.01.02.A0019_03 - CONTROLS.....	21
J04_0_142261 - HANDLEBAR CONTROLS.....	24
M01_2_115232 - STICKERS.....	26
L01_3_142628 - WHEELS.....	28
M01_3_150907 - STICKERS.....	31
M.01.02.A0019_04 - STICKERS.....	33
M02_2_115061 - STICKERS.....	35
M02_3_150939 - STICKERS.....	37

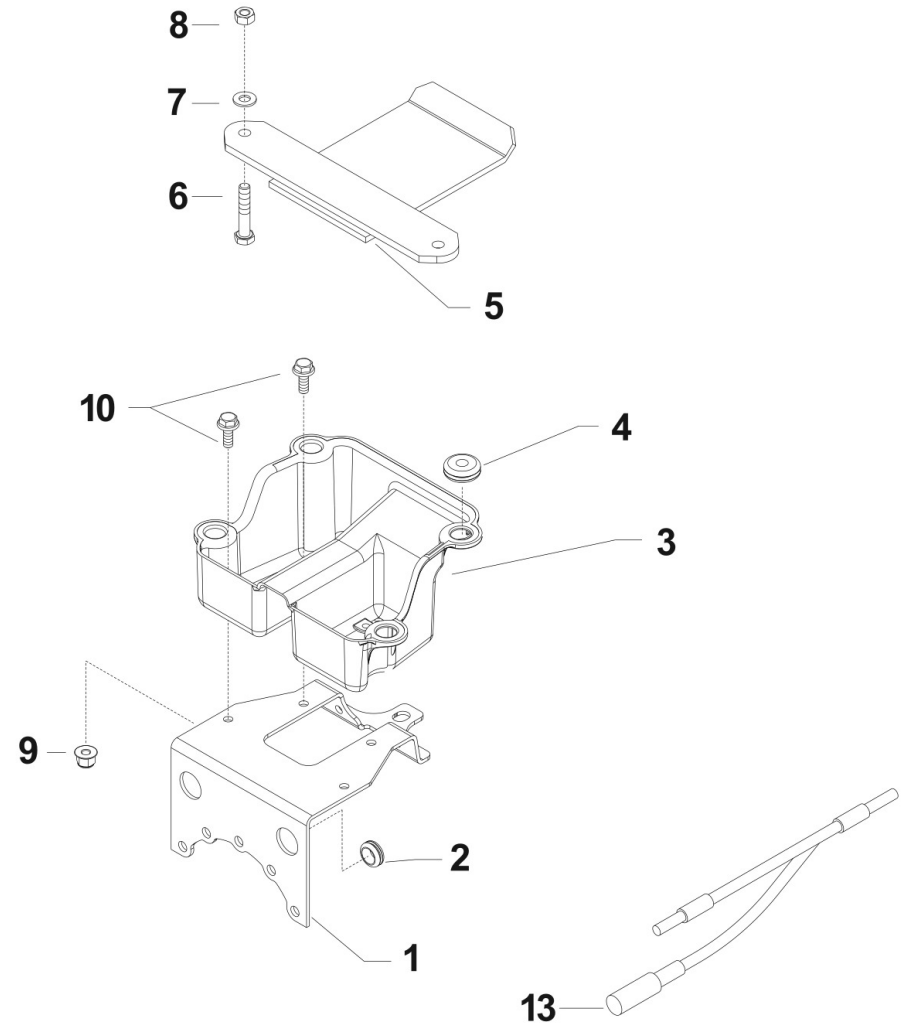
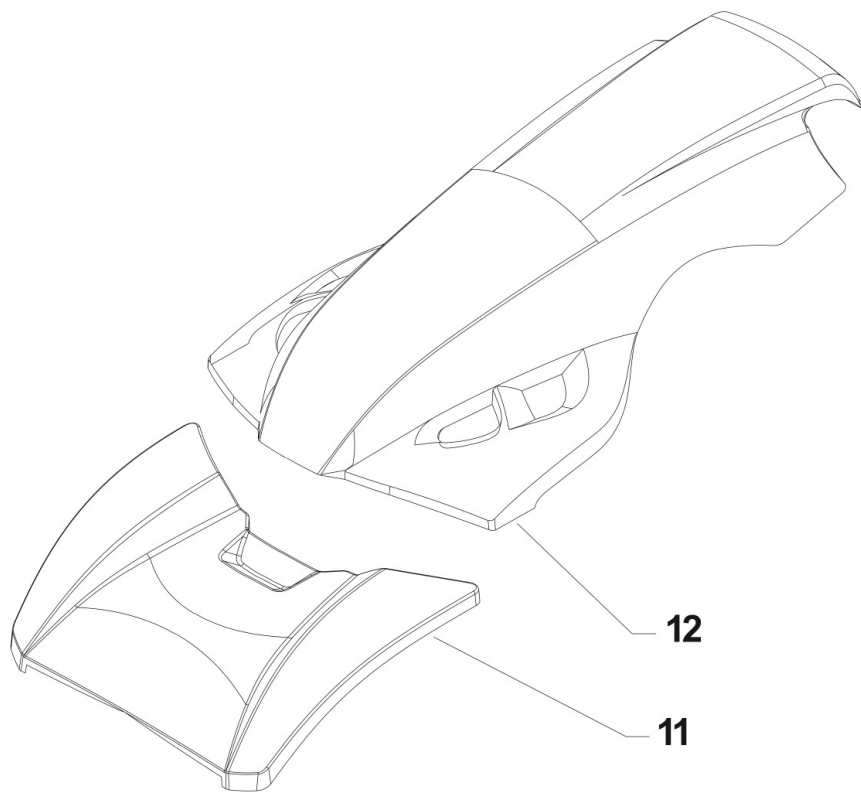




BCS Motor mowers, BCS 2-wheel tractors - 615SL MAX Serial number A001070708
A60002 - 615SL MAX

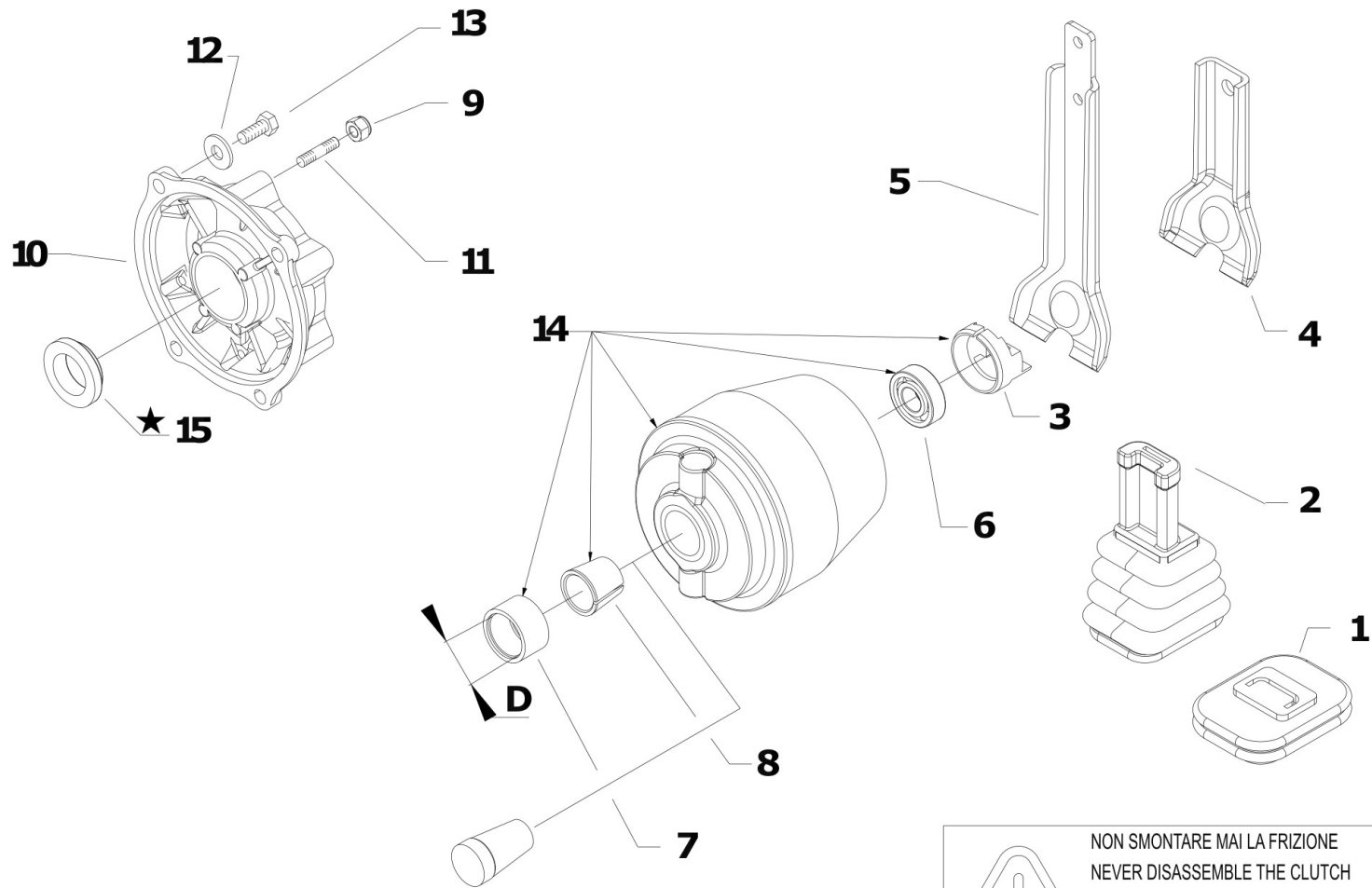
Id	Description
C.01.02.A0019_04	ENGINE GUARDS
D.01.02.A0051_07	CLUTCH
E.01.02.A0019_05	GEARBOX
F.02.02.A0019_05	GEARS
G05_1_141570	DIFFERENTIAL
H.01.02.A0019_04	STEERING COLUMN
I.01.02.A0019_04	HANDLEBAR
J.01.02.A0019_03	CONTROLS
J04_0_142261	HANDLEBAR CONTROLS
M01_2_115232	STICKERS
L01_3_142628	WHEELS
M01_3_150907	STICKERS
M.01.02.A0019_04	STICKERS
M02_2_115061	STICKERS
M02_3_150939	STICKERS






Pos.	Id	Q.ty	Description	Note
1	561C1002N		HOLDER	
2	581C1004		CABLE GLAND	
3	552C1001		FAIRINGS BOX	Replaces 56157399N
4	58056991		CABLE GLAND 90/200/30	
5	56156119N		SHIELD	ACT340/GX240/GX270/GX390
5	59056051N		SHIELD	15LD350
5	59056089N		SHIELD	GX120/GX160/GX200/EX21
5	59056111N		SHIELD	L100AE
6	31112154		SCREW TE M8X40 UNI 5739 8G	
6	31112213		SCREW TE M10X40 UNI 5739	15LD350
7	31411084		WASHER 8,4x17	
7	31411104		WASHER 10,5x18	15LD350
8	31241080		HEXAGON SELFLOCK NUT M8	
8	31241100		SELFLOCK HEXAGON NUT M10	15LD350
9	31241066		SELFLOCK M6 FL NY DIN 6926	
10	31112081		SCREW TE C/F M6X20 DIN 6921 8G	
11	55256410		GUARD	REFORM
11	55257621		GUARD	
12	55256411		GUARD	REFORM
12	55257620		GUARD	
13	58057385		LINE	






 NON SMONTARE MAI LA FRIZIONE
 NEVER DISASSEMBLE THE CLUTCH
 NE DEMONTER JAMAIS L'EMBRAYAGE
 NIEMALS DIE KUPPLUNG AUSBAUEN
 NO DESMONTAR JAMAS EL EMBRAGUE

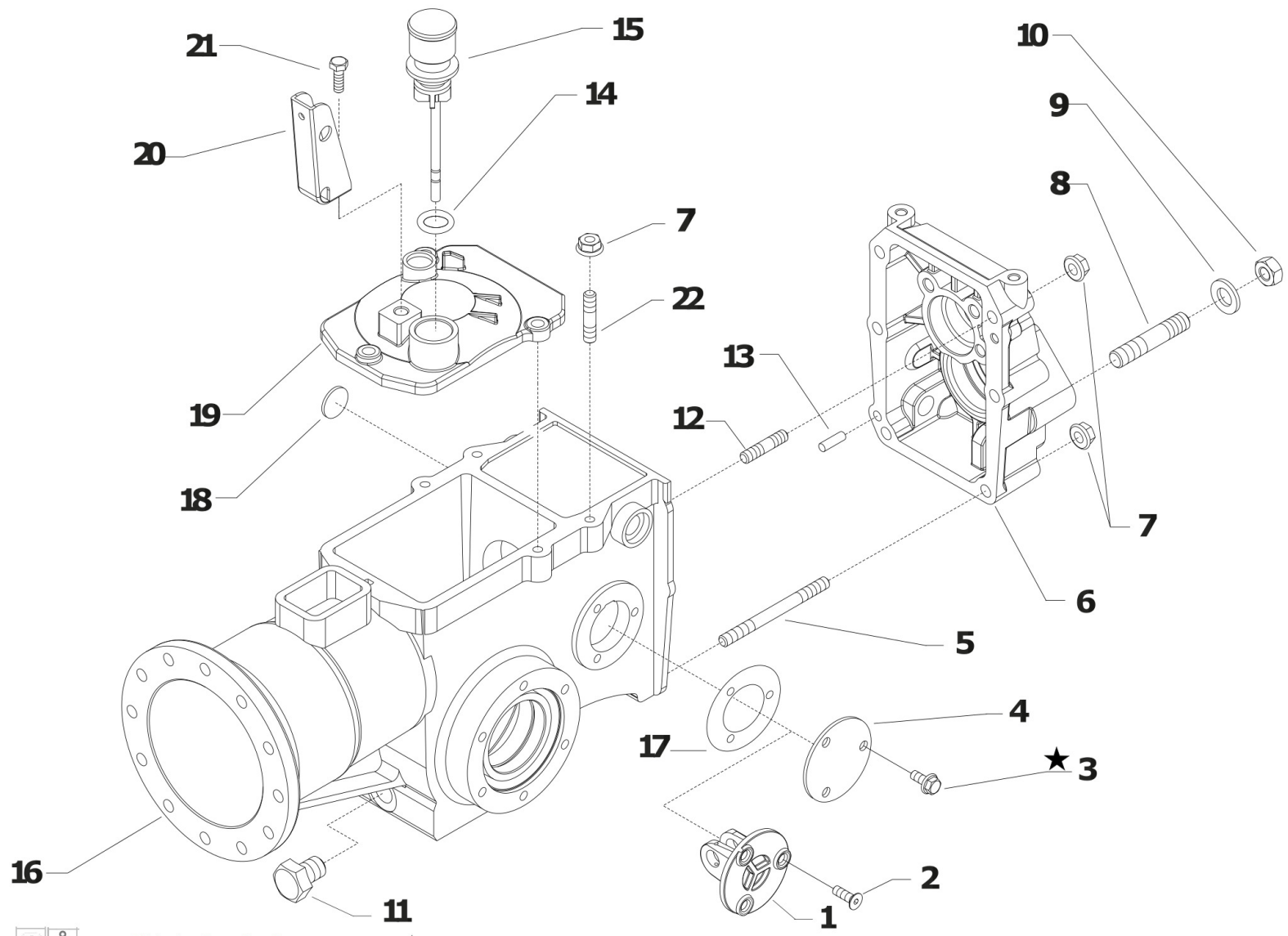

[Click for info](#)

★ = new part



Pos.	Id	Q.ty	Description	Note
1	55157609		BELLOWS	ELECTRIC STARTING
2	55156481		CLUTCH LEVER BELLOWS	Replaces 55147842 - RECOIL STARTER
3	524C1014		PRESSURE CONE	RECOIL STARTER
4	50956262		CLUTCH LEVER	ELECTRIC STARTING
5	56147845		CLUTCH LEVER	
6	37112173		BEARING 6203 DDU7C3EX26 NSK	
7	56156284		SPACER D=19	
7	56156285		SPACER D25	REPLACE 52447896
8	56156276		SLEEVE D.19	
8	56156281		CENTRING BUSH D.25,4	
9	31241083		SELFLOCK NUT M8	
10	53156150		ENGINE FLANGE B&S 8HP I/P	For engines GX240-GX270-GX340-GX390-EX27-EX35
10	53247488		ENGINE FLANGE H=21	For engines GX120-GX160-GX200-EX21
11	31312083		STUD BOLT M8X46X16X16	
12	31423084		SPRING WASHER 8,4	
12	31423105		SPRING WASHER 10,5	For engines GX240-GX270-GX340-GX390-EX27-EX35
13	31100003		SCREW TE 5/16X7/8	For engines GX120-GX160-GX200-EX21
13	31100015		SCREW TE 3/8X1	For engines GX240-GX270-GX340-GX390-EX27-EX35
14	59247489		CONIC CLUTCH D=23 1 CPL SPRING	REPLACES 59247884 - 15LD315/15LD350 - A220 - ACT280/A349/A360 - L70 - KD350
14	59247513		CONIC CLUTCH D=24 2 SPRINGS	REPLACES 59247924 - 15LD500
14	59247823		CONIC CLUTCH D=23,2 2 SPRINGS	REPLACES 59247971 - L100 - ACT340 - LGA340 - KD440
14	592C1010		CLUTCH D.19 Q(UP TO 9HP)	REPLACES 59256275 - GX120/GX160/GX200 - EX21
14	592C1011		COMPLETE CLUTCH D=25,4 9HP	REPLACES 59256275 - GX240/GX270 - EX27
14	592C1012		CONIC CLUTCH D=25,4 UP 9HP	REPLACES 59256280 - GX340/GX390 - EX35
14	592C1013		FRIZIONE C.TA 1 MOLLA SP. REF.	REPLACES 59256295 - A220 REFORM
15	551C1033		GASKET	





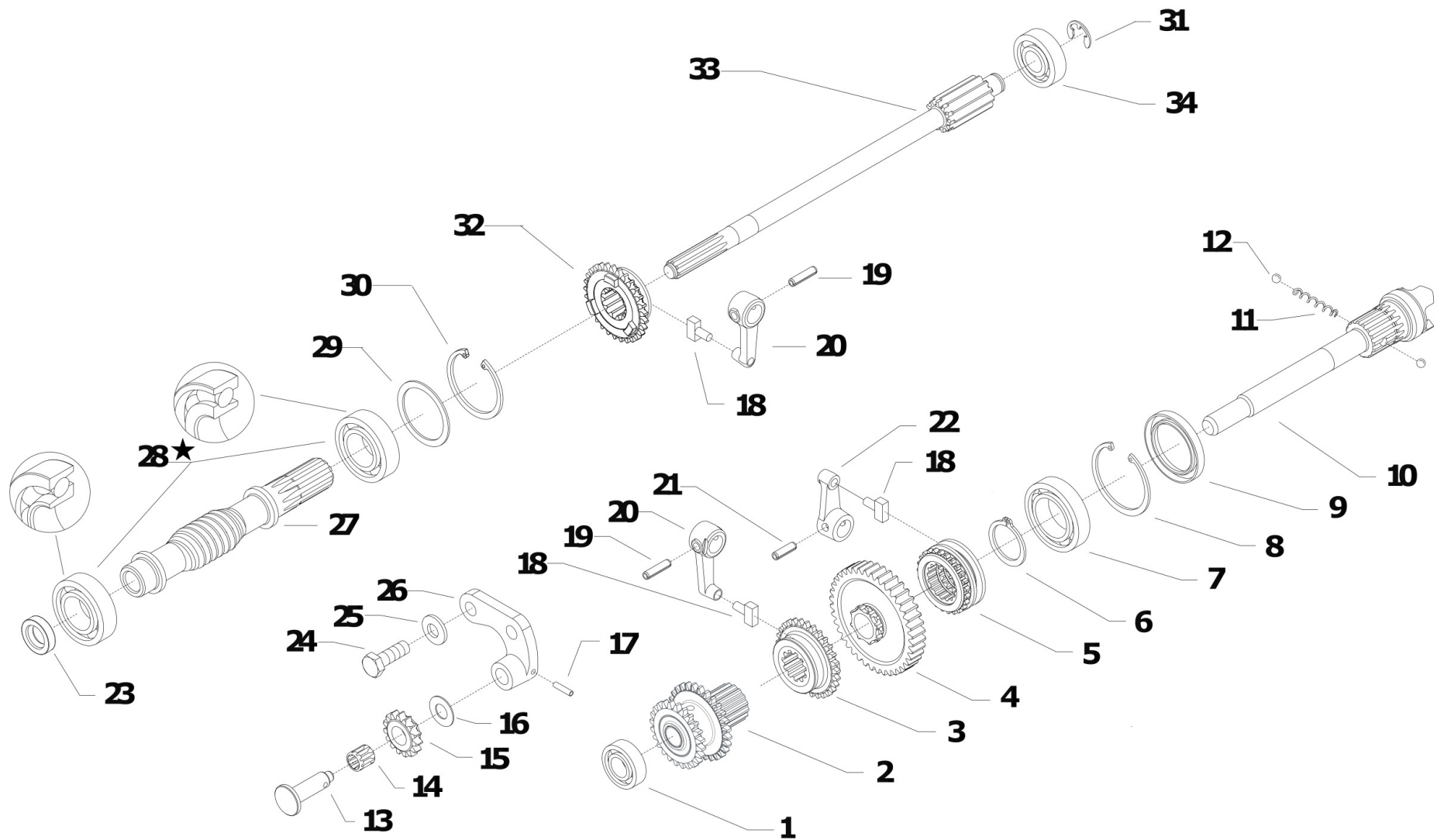
[Click for info](#)

★ = new part



Pos.	Id	Q.ty	Description	Note
1	53156342B		GEAR SUPPORT	615M
2	31132562		SCREW TSVEI M6X16 UNI 5933	
3	31112079		VITE TE C/F M6X12 DIN 6921 RVS	REPLACES 31112083
4	56147520Z		COVER	
5	31312094		STUD BOLT M8X68X14X36	
6	53156332N		REAR COVER	
7	31241084		SELFLOCK NUT M8 6S	
8	31312124		STUD BOLT 52XM12X1,25X22XM12X22 8G	615M
8	31312125		STUD BOLT 64XM12X1,25X26XM12X30 8G	
9	31421130		WASHER	
10	31221121		NUT M12X1,25	
11	30040001		PLUG 1/4 UNI 364	
12	31312086		STUD BOLT M8X56X20X14	
13	58043053		CYLINDRICAL PLUG	
14	55102678		RUBBER RING	
15	59015425		PLUG WITH DIPSTICK	
16	53156325N		BODY	
16	53156346N		BODY	615SLM
17	58056447		GASKET	
18	30040133Z		PLUG 22 DIN 470	615M
19	53143128N		COVER	
19	53143875N		GEARBOX HOUSING COVER	615SLM
20	56147923N		BRACKET	Replaces 59056258 + 31421083 +31241080 + 56157394N
21	31152103		SCREW TCEI M10X25 UNI 5931	
22	31312082		STUD BOLT M8X38X14X20	





 [Click for info](#)

= new part

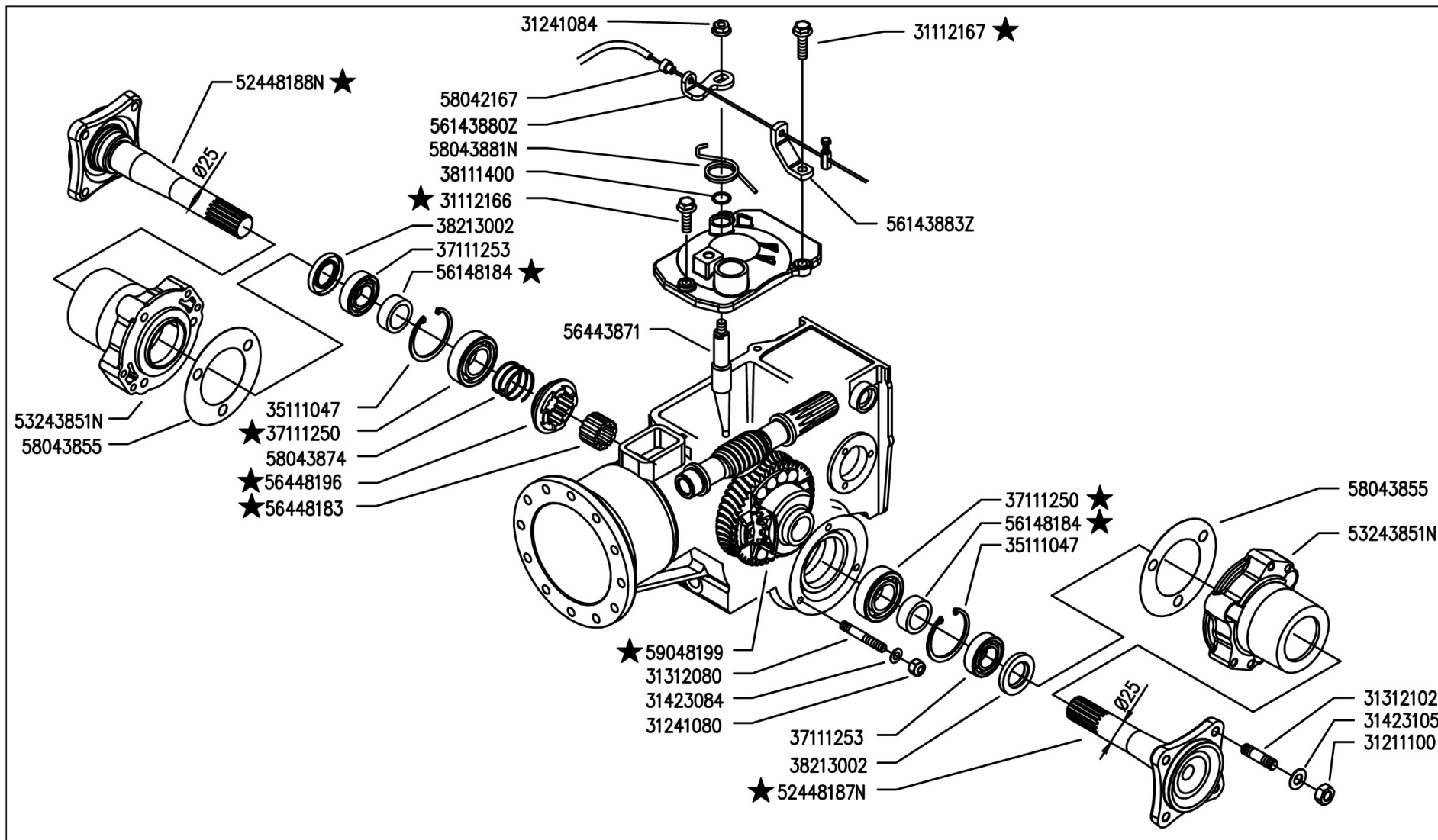


Pos.	Id	Q.ty	Description	Note
1	37111151		BEARING 6202 (15X35X11)	
2	59056394		DOUBLE GEAR	
3	52456370		SLIDER	
4	59056707		GEAR	Replaces 59056365 + 52456362
5	52456706		PTO COUPLING	Replaces 59056365 + 52456362
6	35121031		SEEGER RING E 30 UNI 7436	
7	37112229		BEARING 6006 (30X55X13) SKF	
8	35111055		SEEGER RING I 55 DIN 472	
9	38213800		OIL SEAL 38X55X7	
10	52456335		PTO SHAFT L=161	
11	58056391		SPRING	
12	37910832		BALL 1/4	
13	56456736		GEAR PIN	Replaces 56456351
14	37320120		ROLLER CAGE 12X15/10	
15	56456347		GEAR	
16	56356348		ADJUSTING RING	
17	34211042		ROLL PIN	
18	58043086		SHOE	
19	34213060		ROLL PIN	
20	52456389		LEVER	
21	34213061		ROLL PIN	
22	52456390		LEVER	
23	38211500		OIL SEAL 15X28X7	
24	31112211		SCREW TE M10X30 UNI 5739	
25	31421101		WASHER 10 DIN 679	
26	52456349		GEAR SUPPORT	
27	56456475		SCREW 2	
28	37141250		BEARING 7205-B OBL SKF	REPLACES 37111255
29	56356328		ADJUSTING RING SP=1,5	



Pos.	Id	Q.ty	Description	Note
29	56356329		ADJUSTING RING SP=1,6	
29	56356330		ADJUSTING RING SP=1,7	
29	56356331		ADJUSTING RING SP=1,8	
30	35111052		SEEGER RING I 52 DIN 472	
31	35211120		SEEGER RING E 12 UNI 7434	
32	52456392		SLIDER	
33	52456339		SHAFT	
34	37111152		BEARING 6302 (15X42X13) SKF	



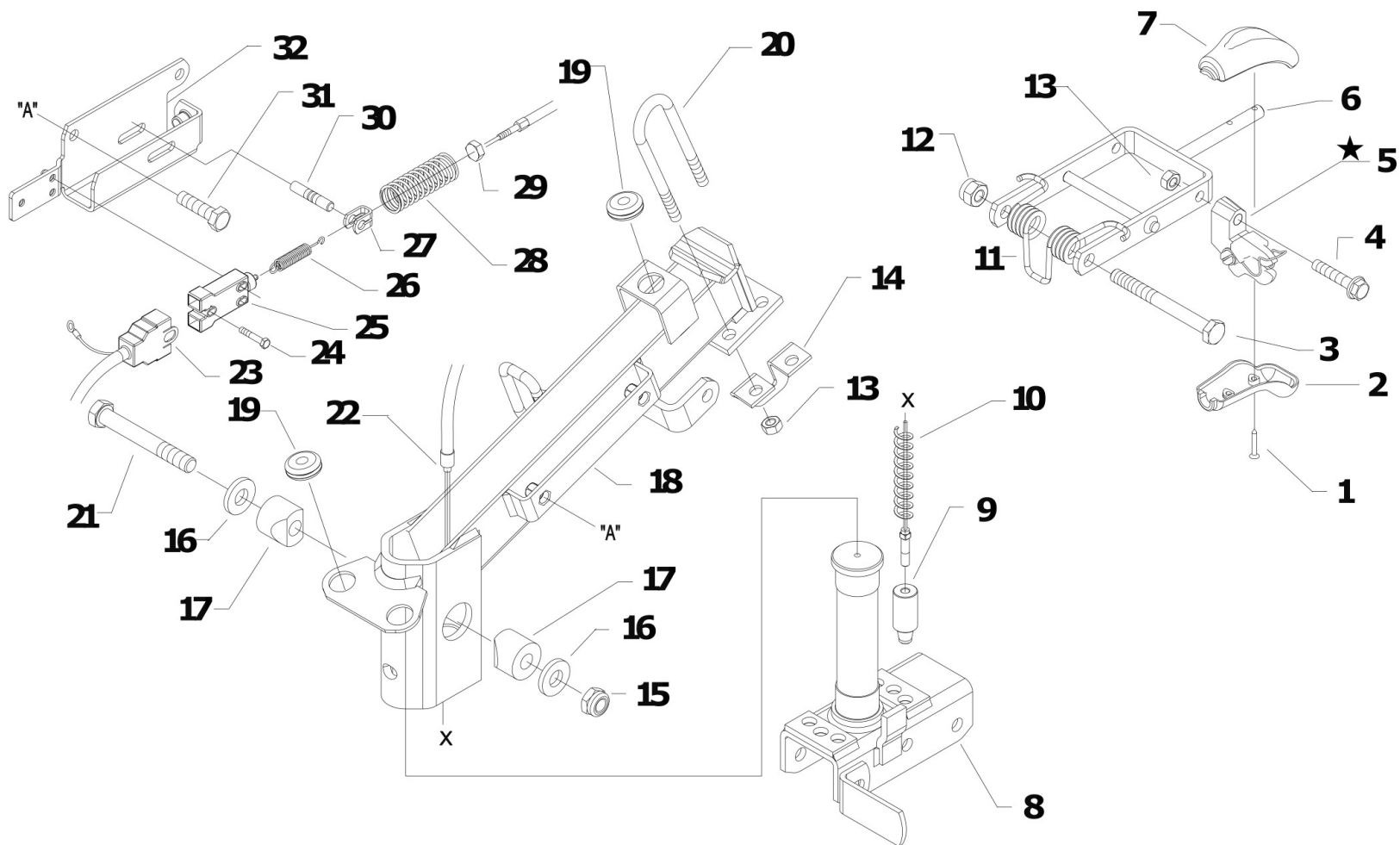


	600 serie MAX	DIFFERENTIAL DIFFERENCIAL	DIFFERENZIALE (615SLM)	DIFFÉRENTIEL DIFFERENTIAL	DALLA MACCHINA DE LA MAQUINA FROM THE MACHINE AB DER MASCHINE	<input type="text"/>	G05	Rev. 1
						★ N.		



Pos.	Id	Q.ty	Description	Note
31112167	31112167	1	SCREW TE C/F M8X30 DIN 6921 8G	
31211100	31211100	1	NUT M10	
31241080	31241080	1	HEXAGON SELFLOCK NUT M8	
31312080	31312080	1	STUD BOLT M8X46X20X12	
31312102	31312102	1	STUD BOLT M10X40X24X12	
31411084	31411084	1	WASHER 8,4x17	
31423084	31423084	1	SPRING WASHER 8,4	
31423105	31423105	1	SPRING WASHER 10,5	
35111047	35111047	1	SEEGER RING I 47 DIN 472	
37111250	37111250	1	BEARING	
37111253	37111253	1	BEARING 6005 (25X47X12)	
38111400	38111400	1	O-RING (14,00X1,78)	
38213002	38213002	1	OIL SEAL 30X40X7	
56148184	56148184	1	RING	
56443871	56443871	1	ROD	
56448183	56448183	1	SPACER	
56448196	56448196	1	COUPLING	
58042167	58042167	1	SHEATH END	
58043855	58043855	1	GASKET	
58043874	58043874	1	SPRING	
59048199	59048199	1	DIFFERENTIAL GEAR	
52448187N	52448187N	1	AXLE SHAFT	
52448188N	52448188N	1	AXLE SHAFT	
53243851N	53243851N	1	HUB	
56143880Z	56143880Z	1	SMALL LEVER	
56143883Z	56143883Z	1	STOP	
58043881N	58043881N	1	SPRING	





[Click for info](#)

★ = new part

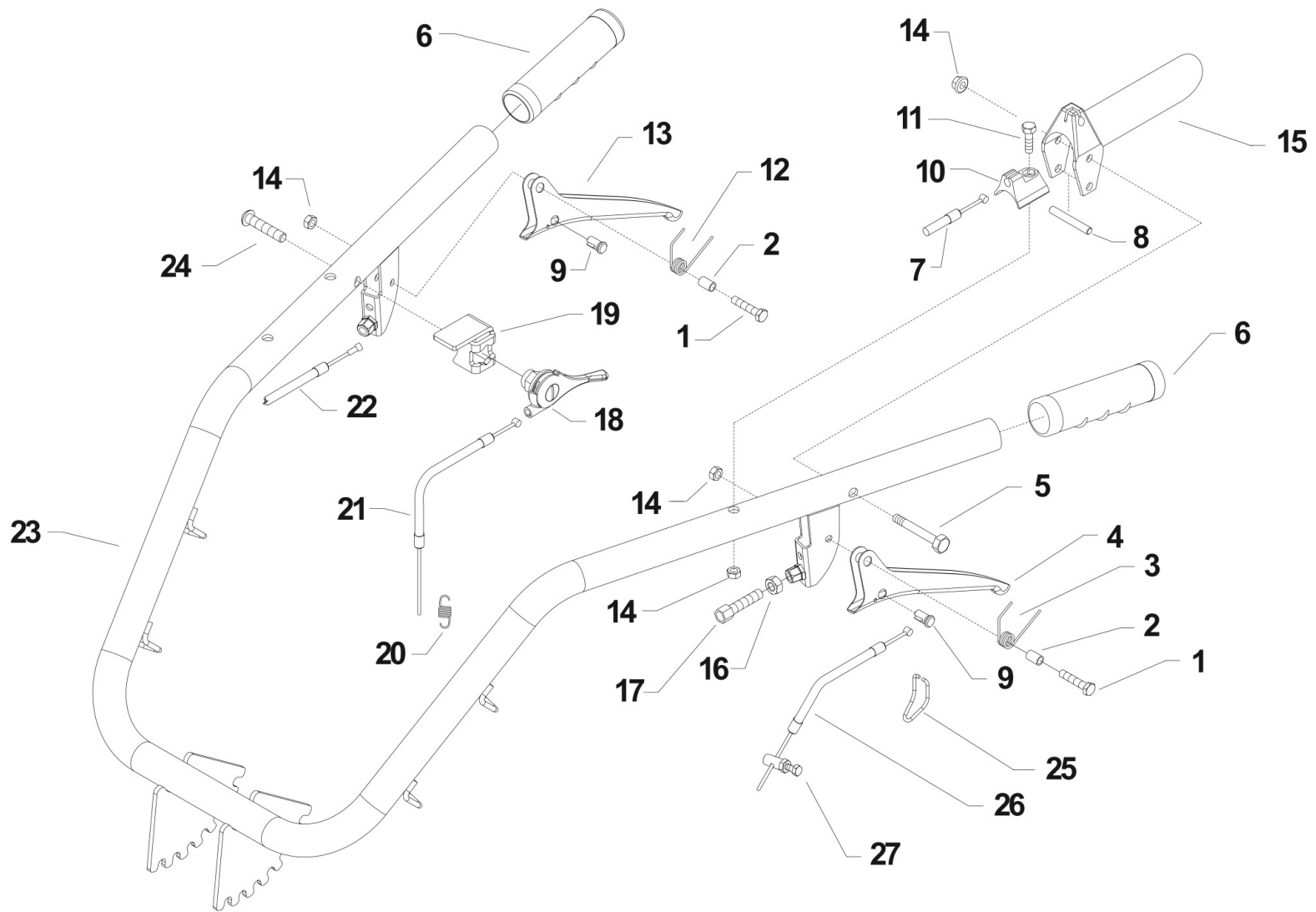


Pos.	Id	Q.ty	Description	Note
1	31100451		SCREW 3,5X25	
2	55157213		GRIP	
3	31111229		SCREW TE M10X110 UNI 5737 8G	
4	31112165		SCREW TE C/F M8X35 DIN 6921 8G	
5	59243337		ROD SUPPORT WITH SPRING	REPLACES 55243340
6	59057010N		LEVER	
7	55157212		GRIP	
8	59056952N		SUPPORT	
9	56356924		FERRULE	
10	58056918Z		SPRING	
11	58056942N		SPRING	
12	31241100		SELFLOCK HEXAGON NUT M10	
13	31241080		HEXAGON SELFLOCK NUT M8	
14	56156948N		STOP	
15	31241126		SELFLOCK NUT M12	
16	31421100Z		CUP SPRING 25X12,2X1,5 D2093	
17	52156917		WEDGE	
18	59256999		COLUMN	
19	58056991		CABLE GLAND 90/200/30	
20	56156940		U BOLT	
21	31112293		SCREW TE M12X80 UNI 5737	
22	58042167		SHEATH END	
23	58057417		WIRING MOT/STOP L=950	
24	31121024		SCREW TBCEI FL.M4X25	
25	58048009		ENGINE STOP SWITCH	
26	58047712		SPRING	
27	56157411Z		FORK	
28	58057413		RETAINING SPRING	
29	31211080		NUT M8	



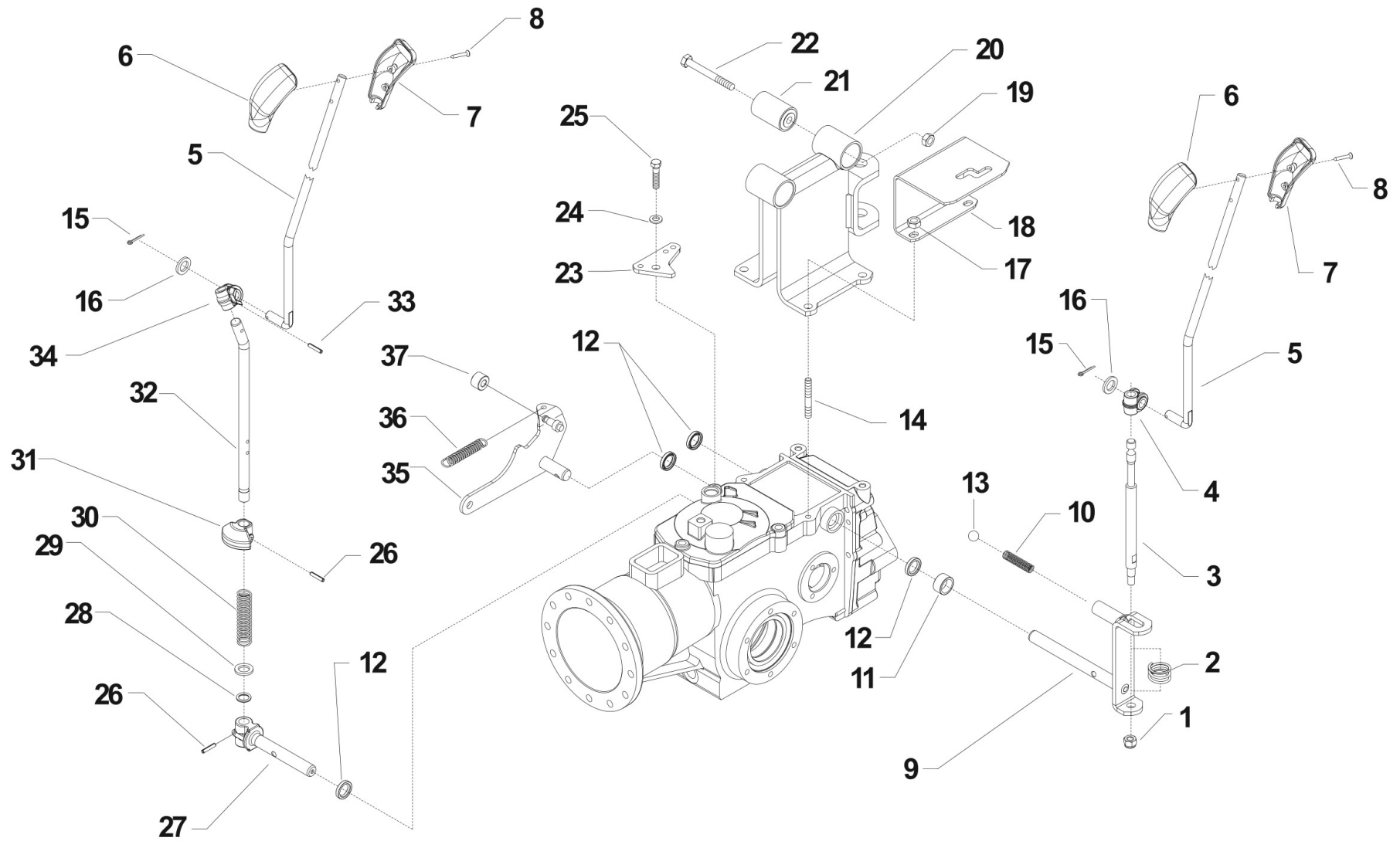
Pos.	Id	Q.ty	Description	Note
30	56157412		PIN	
31	31112170		SCREW TE C/F M8X20 DIN 6921	
32	59257409		SUPPORT	





Pos.	Id	Q.ty	Description	Note
1	31112089	1	SCREW TE M6X25 UNI 5739 8G	
2	56156603Z	1	SPACER	
3	58050345	1	SPRING	
4	56147655N	1	CLUTCH LEVER	
5	31111097	1	SCREW TE M6X45 UNI 5737 8G	
6	58048000	1	KNOB D=27	
7	58048355	1	LINE AND SHEATH L-1950	DIESEL
7	58057418	1	LINE AND SHEATH M/S L=750 MF/04	
8	56148037	1	LEVER STOP	
9	58150313	1	CABLE CLAMP	
10	55248038	1	STOP	
11	31112092	1	SCREW TE M6X35 UNI 5739 8G	
12	58056593	1	SPRING	
13	56148470N	1	LEVER	
14	31241060	1	HEXAGON SELFLOCK NUT M6	
15	55248041	1	LEVER	
16	31211080	1	NUT M8	
17	58056595	1	ADJUSTING SCREW M8	
18	58002538	1	ACCELERATOR	
19	56156874N	1	PANEL	
20	58056154	1	RESTORING SPRING	GX200
20	58056155	1	RESTORING SPRING	GX270
21	58056815	1	LINE AND SHEATH L=1950	GX200/GX270
22	58056193	1	TRANSMISSION	
23	59257162	1	HANDLE BAR	
24	31121020	1	SCREW TBCEI M8X40 ISO7380 10K Z	
25	58051670	1	CLEVIS	
26	58057285	1	LINE AND SHEATH (L=1130)	
27	58042200	1	CLAMPING SCREW	



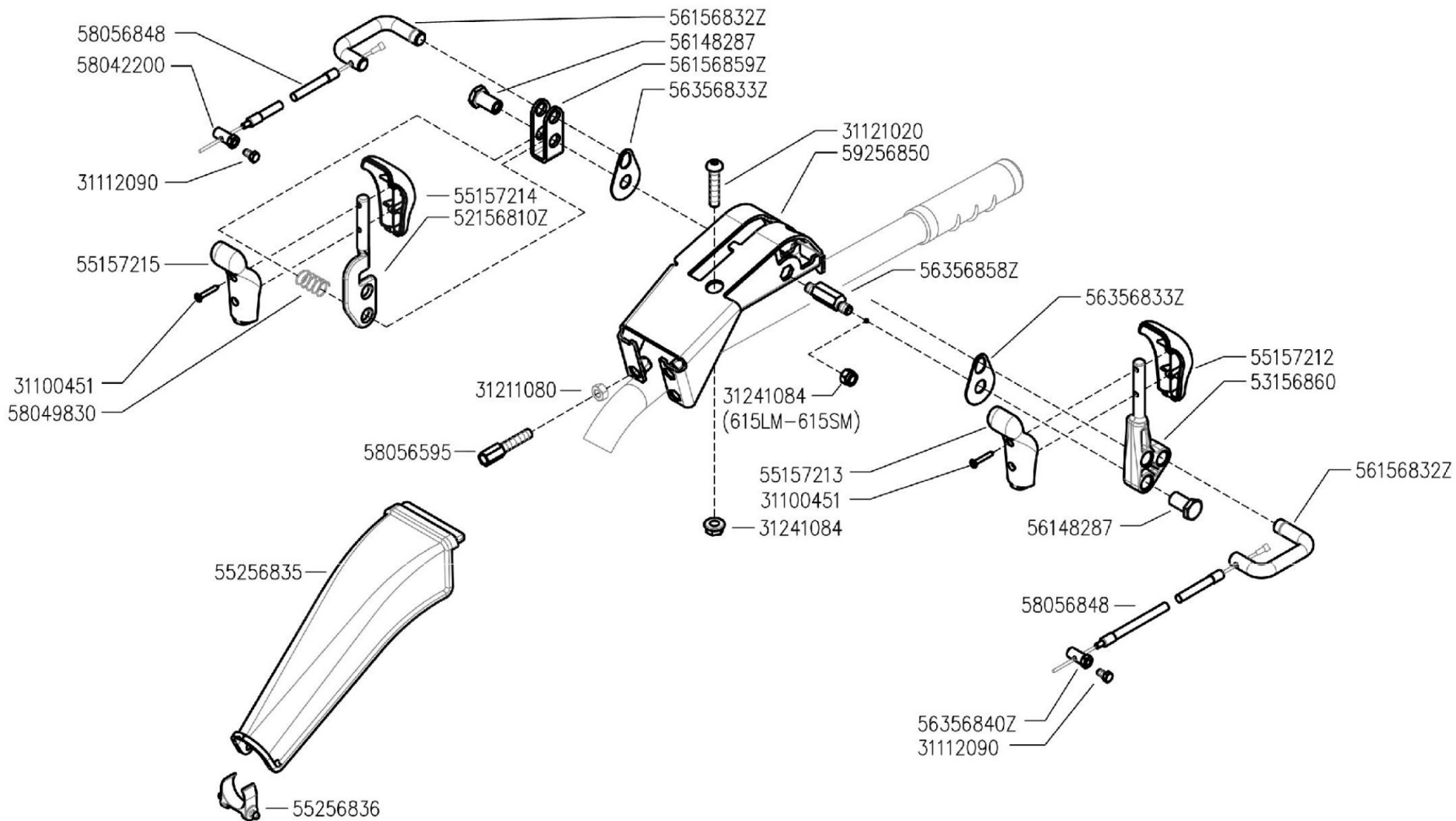


Pos.	Id	Q.ty	Description	Note
1	31241080		HEXAGON SELFLOCK NUT M8	
2	58057232Z		SPRING	
3	563C1005Z		COMMAND LEVER	Replaces 56157271N + 59057251N
4	55242528		JOINT	
5	56156792Z		PULL ROD 2+2 ED	
6	55157212		GRIP	
7	55157213		GRIP	
8	31100451		SCREW 3,5X25	
9	59056735N		GEAR LEVER	Replaces 56157271N + 59057251N
10	58043176		SPRING	
11	56157257Z		SPACER	
12	38211400		OIL SEAL 14X22X4	
13	37911532		BALL 15/32	
14	31312082		STUD BOLT M8X38X14X20	
15	34110028		SPLIT PIN A3X15 UNI 1336	
16	31411104		WASHER 10,5x18	
17	31241084		SELFLOCK NUT M8 6S	
18	56156195H		GEAR SELECTOR	
19	31241100		SELFLOCK HEXAGON NUT M10	
20	59056920		SUPPORT	
21	30010142		SILENT-BLOCK 10,2X30X45X49	
22	31111217		SCREW TE M10X75 UNI 5737 8G	
23	56157274		SQUARE	
24	31423084		SPRING WASHER 8,4	
25	31112152		SCREW TE M8X30 UNI 5739 8G	
26	34213020		ROLL PIN	
27	52357250		PIN	
28	38111191		O-RING 115 (11,91X2,62)	
29	31414130		WASHER 13	



Pos.	Id	Q.ty	Description	Note
30	F0831193010		SPRING DM.15X70	
31	55257321		STOP	
32	56157324N		PTO LEVER	
33	34213024		ROLL PIN	
34	55248379		PTO JOINT	
35	59057319		LEVER	
36	58057273		SPRING	
37	55257313		ROLLER	





600 serie MAX

HANDLEBAR CONTROLS
CONTROLES EN EL MANILLAR

COMANDI SUL MANUBRIO★
(615LM-615SM-615SLM)

CONTROLES SUR LE MANCHERON
KONTROLLEN AM LINCHER

DALLA MACCHINA
DE LA MAQUINA
FROM THE MACHINE
AB DER MASCHINE

★N.

863996

J04

Rev.
0

10/2010

DITE BCS - Scala 1:5



Pos.	Id	Q.ty	Description	Note
31100451	31100451	1	SCREW 3,5X25	
31112090	31112090	1	SCREW TE M6X16 UNI 5739 8G	
31121020	31121020	1	SCREW TBCEI M8X40 ISO7380 10K Z	
31211080	31211080	1	NUT M8	
31241084	31241084	1	SELFLOCK NUT M8 6S	
53156860	53156860	1	COMMAND LEVER	
55157212	55157212	1	GRIP	
55157213	55157213	1	GRIP	
55157214	55157214	1	GRIP	
55157215	55157215	1	GRIP	
55256835	55256835	1	PROTECTION COVER	
55256836	55256836	1	SUPPORT, ELECTRICAL BOX	
56148287	56148287	1	STUD BOLT	
58042200	58042200	1	CLAMPING SCREW	
58049830	58049830	1	SPRING	
58056595	58056595	1	ADJUSTING SCREW M8	
58056848	58056848	1	LINE AND SHEATH L=930	
59256850	59256850	1	SUPPORT	
52156810Z	52156810Z	1	COMMAND LEVER	
56156832Z	56156832Z	1	U BOLT	
56156859Z	56156859Z	1	FORK	
56356833Z	56356833Z	1	SMALL PLATE	
56356840Z	56356840Z	1	CLAMPING SCREW	
56356858Z	56356858Z	1	PIN	



600 MAX 58057642

615 MAX 58057627

615L MAX 58057628

615S MAX 58057629

615SL MAX 58057453 0

650 MAX 58057630

620 MAX 58057631

630 MAX 58057632

WS MUSTER 58057749

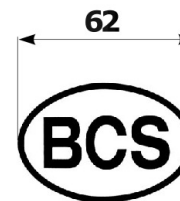
630WS MAX 58057633

KIT REF.

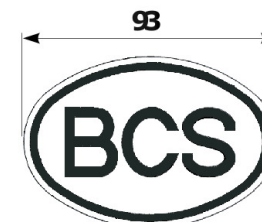
- 58157634 (626 REF.)
- 58157635 (636L REF.)
- 58157636 (616 REF.)



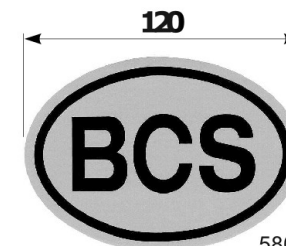
58057680



53048656



53093088



58059211



600 serie **MAX**

STICKERS
ADHESIVOS

ADESIVI

AUTOCOLLANTS
AUFKLEBES

DALLA MACCHINA
DE LA MAQUINA
DE LA MACHINE
FROM THE MACHINE
AB DER MASCHINE

ON.

AGGIORNAMENTO
REVISION
MISE A JOUR
APLAZAMIENTO
ANPASSUNG

M01

Rev. **2**

01/2009

ZENE

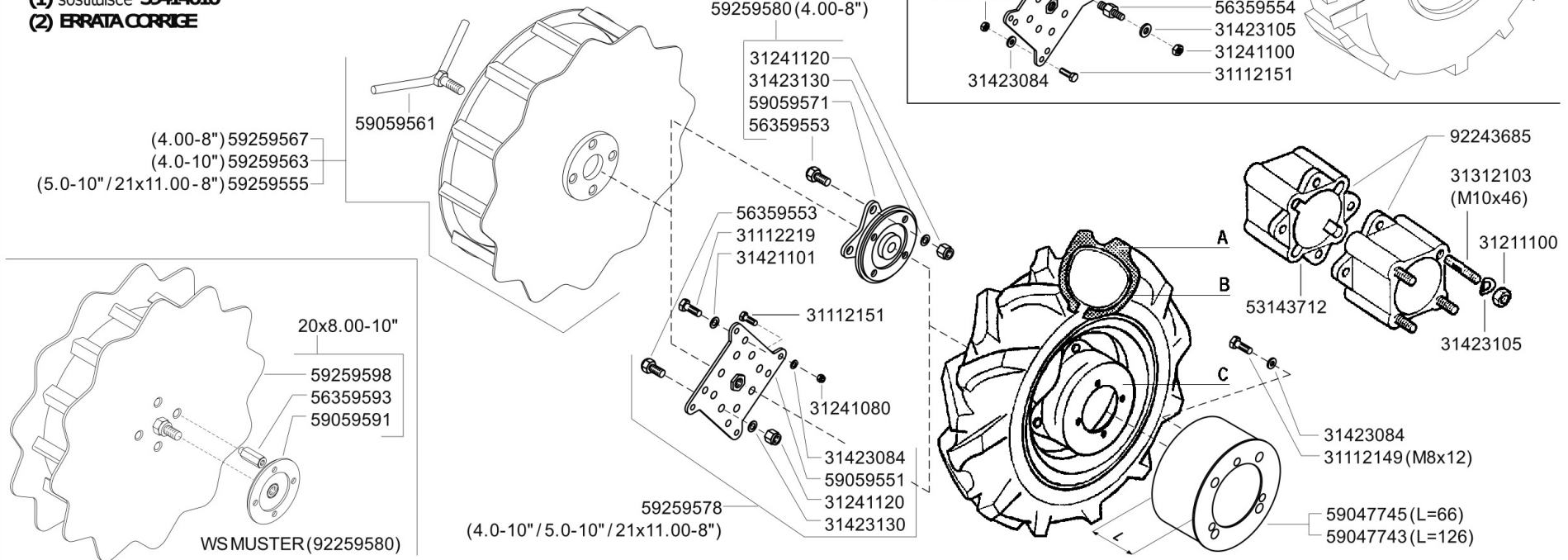
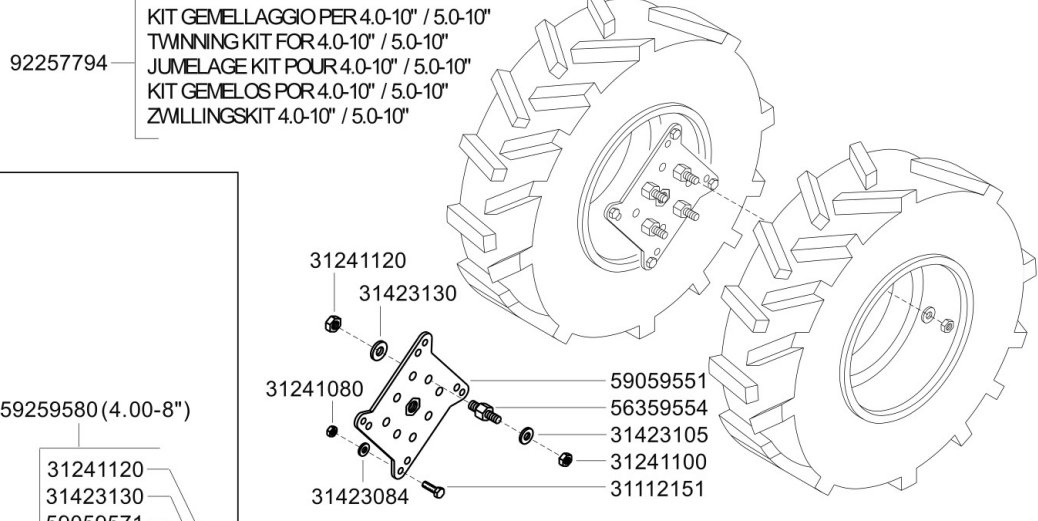


Pos.	Id	Q.ty	Description	Note
53048656	53048656	1	OVAL LOGO	
53093088	53093088	1	OVAL LOGO	
58057453	58057453	1	DECAL 615SL MAX	
58057627	58057627	1	DECAL 615 MAX	
58057628	58057628	1	DECAL 615 L MAX	
58057629	58057629	1	DECAL 615 S MAX	
58057630	58057630	1	DECAL 650 MAX	
58057631	58057631	1	DECAL 620 MAX	
58057632	58057632	1	DECAL 630 MAX	
58057633	58057633	1	DECAL 630WS MAX	
58057642	58057642	1	DECAL 600 MAX	
58057680	58057680	1	DECAL	
58057749	58057749	1	DECAL WS MUSTER	
58059211	58059211	1	DECAL BCS	
58157634	58157634	1	STICKERS REFORM 620 MAX	
58157635	58157635	1	STICKERS REFORM 631L MAX	
58157636	58157636	1	SET OF REFORM STICKERS 616 MAX	



	A	B	C
3.50 - 8" (600)	39113502	39413502	58043370
3.50 - 8"	39113502	39413502	58043250
4.00 - 8"	39114008	39414008	58043250
4.0 - 10"	39114010	39415010 O(1)	58048330
5.0 - 10"	39115010	39415010	58048330
6.5 / 80 - 12"	39116018	39416018	58044804
21 x 11.00 - 8"	39113501	TUBELESS	58057795
20 x 8.00 - 10"	39118021 (TR)	39416025	58057799
20 x 8.00 - 10"	39118020 (GA)	39415010	58057797 (WS MUSTER)
16 x 6.50 - 8"	3911665 O(2)	39411608	58057839

(1) sostituisce **39414010**
(2) **ERRATA CORRIGE**



	600 serie MAX	RUOTE WHEELS RUEDAS ROUES RÄDER	DALLA MACCHINA DE LA MAQUINA DE LA MACHINE FROM THE MACHINE AB DER MASCHINE	AGGIORNAMENTO REVISION MISE A JOUR APLAZAMIENTO ANPASSUNG	L01 06/2010	Rev. 3
			O.N.			



Pos.	Id	Q.ty	Description	Note
31112149	31112149	1	SCREW TE M8X12 UNI 5739 8G	
31112151	31112151	1	SCREW TE M8X25 UNI 5739 8G	
31112219	31112219	1	SCREW TE M10X25 UNI 5739	
31211100	31211100	1	NUT M10	
31241080	31241080	1	HEXAGON SELFLOCK NUT M8	
31241100	31241100	1	SELFLOCK HEXAGON NUT M10	
31241120	31241120	1	SELFLOCK NUT M12	
31312103	31312103	1	STUD BOLT M10X46X24X16	
31421101	31421101	1	WASHER 10 DIN 679	
31423084	31423084	1	SPRING WASHER 8,4	
31423105	31423105	1	SPRING WASHER 10,5	
31423130	31423130	1	SPRING WASHER EL 13 DIN 137-B	
39111665	39111665	1	TYRE 16X6.50-8 4PR	
39113501	39113501	1	TYRE 21X11.00-8	
39113502	39113502	1	TYRE 3.50-8 2PR	
39114008	39114008	1	TYRE 4.00-8 2PR	
39114010	39114010	1	TYRE 4.0-10 2PR	
39115010	39115010	1	TYRE 5.00-10 2PR	
39116018	39116018	1	TYRE 6.5/80-12 2PR	
39118020	39118020	1	TYRE 20X8.00-10 4PR	
39118021	39118021	1	COVER 20x8.00-10 FLAT-TR	
39411608	39411608	1	INNER TUBE PER 16-6.50-8	
39413502	39413502	1	INNER TUBE X 3.50-8	
39414008	39414008	1	INNER TUBE X 4.00-8	
39415010	39415010	1	INNER TUBE X 4.0/5.0-10	
39416018	39416018	1	INNER TUBE X 6-5/80-12	
39416025	39416025	1	INNER TUBE X 20X8.00-10 TR	
53143712	53143712	1	SPACER	
56359553	56359553	1	PIN	

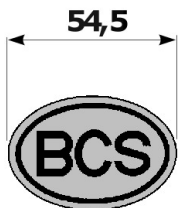


Pos.	Id	Q.ty	Description	Note
56359554	56359554	1	PIN	
56359593	56359593	1	DRIVING PIN	
58043250	58043250	1	RIM 2.50-8	
58043370	58043370	1	RIM 2.50-8	
58044804	58044804	1	RIM 5JA12	
58048330	58048330	1	RIM 3.50D10 CR	
58057789	58057789	1	RIM 3.50-10 WS2	
58057795	58057795	1	RIM 8.50-8	
58057797	58057797	1	RIM 6.00I-10 MUSTER	
58057799	58057799	1	RIM 6.00I-10	
58057839	58057839	1	RIM 5.25X8	
59047743	59047743	1	HUBCOVER	
59047745	59047745	1	HUBCOVER	
59059551	59059551	1	FLANGE	
59059561	59059561	1	SCREW	
59059571	59059571	1	FLANGE	
59059591	59059591	1	SPACER	
59259555	59259555	1	SUPER-BITE WHEEL X 5.00-10	
59259563	59259563	1	WHEEL	
59259567	59259567	1	WHEEL	
59259578	59259578	1	FLANGE KIT	
59259580	59259580	1	FLANGE KIT	
59259598	59259598	1	WHEEL	
92243685	92243685	1	WHEEL SPACERS CM 6 (PAIR)	
92257794	92257794	1	ADAPTER PLATES FOR WHEELS (PAIR)	
92259580	92259580	1	RUOTE SUPER-BITE 20X8.0-10 (COPPIA)	



KIT REF.

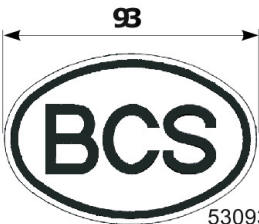
- 58157634 (626 REF.)
- 58157635 (636L REF.)
- 58157636 (616 REF.)



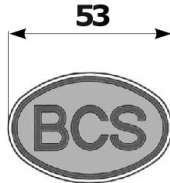
58057643

615 MAX

58058459 0



53093088



53058450 0

615 L MAX

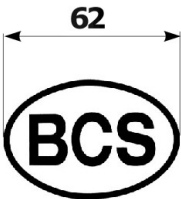
58058460 0

600 MAX

58057642

615 S MAX

58058461 0



53048656

650 MAX

58057630

615 SL MAX

58058462 0



58057749

620 MAX

58058464 0

630 MAX

58058465 0

630WS MAX

58058466 0



600 serie MAX

ADESIVI

STICKERS
ADHESIVOS

AUTOCOLLANTS
AUFKLEBES

DALLA MACCHINA
DE LA MAQUINA
DE LA MACHINE
FROM THE MACHINE
AB DER MASCHINE

ON.

AGGIORNAMENTO
REVISION
MISE A JOUR
APLAZAMIENTO
ANPASSUNG

M01 3

11/2010

Rev.
3
SERIE



Pos.	Id	Q.ty	Description	Note
53048656	53048656	1	OVAL LOGO	
53058450	53058450	1	SMALL OVAL LOGO	
53093088	53093088	1	OVAL LOGO	
58057630	58057630	1	DECAL 650 MAX	
58057642	58057642	1	DECAL 600 MAX	
58057643	58057643	1	OVAL LOGO	
58057749	58057749	1	DECAL WS MUSTER	
58058459	58058459	1	DECAL 615 MAX /11	
58058460	58058460	1	DECAL 615L MAX /11	
58058461	58058461	1	DECAL 615S MAX /11	
58058462	58058462	1	DECAL 615SL MAX /11	
58058464	58058464	1	DECAL 620 MAX /11	
58058465	58058465	1	DECAL 630 MAX /11	
58058466	58058466	1	DECAL 630WS MAX /11	
58157634	58157634	1	STICKERS REFORM 620 MAX	
58157635	58157635	1	STICKERS REFORM 631L MAX	
58157636	58157636	1	SET OF REFORM STICKERS 616 MAX	



615 MAX
1

630
MAX
6

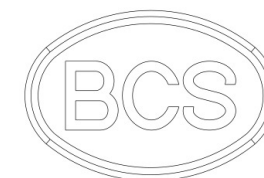
615 L MAX
2

630WS
7★

615 S MAX
3

630WS
MAX
8

615 SL MAX
4



10

620
MAX
5

650 MAX
9★



i = info - stop 2 sec. ★ = new part



Pos.	Id	Q.ty	Description	Note
1	58058459		DECAL 615 MAX /11	
2	58058460		DECAL 615L MAX /11	
3	58058461		DECAL 615S MAX /11	
4	58058462		DECAL 615SL MAX /11	
5	58058464		DECAL 620 MAX /11	
6	58058465		DECAL 630 MAX /11	
7	58058467		DECAL 630WS /11	
8	58058466		DECAL 630WS MAX /11	
9	58058468		DECAL 650 MAX /11	
10	53058450		SMALL OVAL LOGO	





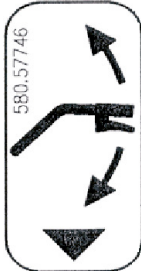

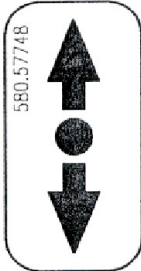
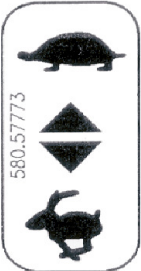
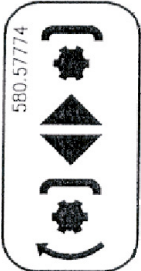
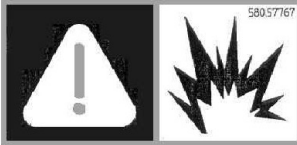

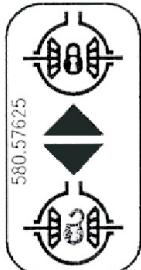
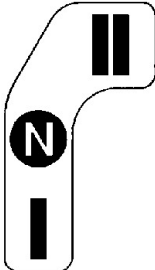

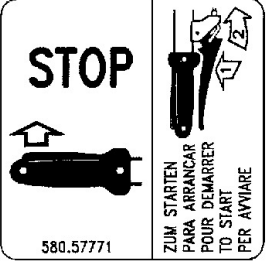




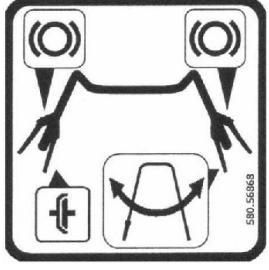



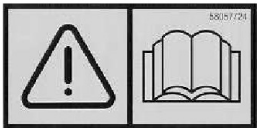


	600 serie MAX	ADESIVI		ON.	DALLA MACCHINA DE LA MAQUINA DE LA MACHINE FROM THE MACHINE AB DER MASCHINE	AGGIORNAMENTO	M02	Rev.
		STICKERS	AUTOCOLLANTS		REVISION	2		
		ADHESIVOS	AUFKLEBES		MISE A JOUR	01/2009		
					APLAZAMIENTO			
					ANPASSUNG			



Pos.	Id	Q.ty	Description	Note
58046912	58046912	1	DECAL	
58046932	58046932	1	DECAL	
58057625	58057625	1	DECAL	
58057676	58057676	1	DECAL	
58057678	58057678	1	DECAL	
58057688	58057688	1	DECAL	
58057698	58057698	1	DECAL	
58057706	58057706	1	DECAL	
58057712	58057712	1	DECAL	
58057722	58057722	1	DECAL	
58057724	58057724	1	DECAL	
58057732	58057732	1	DECAL	
58057746	58057746	1	DECAL	
58057747	58057747	1	DECAL	
58057748	58057748	1	DECAL	
58057767	58057767	1	DECAL	
58057768	58057768	1	DECAL	
58057770	58057770	1	DECAL	
58057771	58057771	1	DECAL	
58057772	58057772	1	DECAL	
58057773	58057773	1	DECAL	
58057774	58057774	1	DECAL	
58093089	58093089	1	DECAL	



<div style="display: flex; flex-direction: column; align-items: center;"> <div style="margin-bottom: 10px;">4</div>  <div style="margin-bottom: 10px;">3</div> <div style="margin-bottom: 10px;"></div> <div style="margin-bottom: 10px;">2</div> <div style="margin-bottom: 10px;"></div> <div style="margin-bottom: 10px;">1</div> </div>	 <p>58056864</p>	 <p>58057746</p>	 <p>58057747</p>	 <p>58057748</p>	 <p>58057773</p>	 <p>58057774</p>	 <p>58057767</p>			
	 <p>58056867</p>	 <p>58057625</p>	 <p>58057732</p>	<p>ZUM STARTEN</p> <ul style="list-style-type: none"> • KUPPLUNGSEBEL ANHAKEN, (SIEHE) AUFKLEBER AUF DEM LENKHOLM). • GASHEBEL ZUR MITTE EINSTELLEN. • BENZINHAHN OFFNEN (WENN VORHANDEN). • CHOKE SCHLIESSEN (BEI KALTEM MOTOR). <p>DEN FUSS IN DIE RICHTIGE STELLUNG SETZEN.</p>  <p>58046932 (REF.)</p>	 <p>58057771</p>	 <p>58057772</p>	 <p>58057768</p>	<p>58057770</p> <p>KUPLUNG EMBRAYAGE EMBRAGUE CLUTCH FRIZIONE</p> <p>58057770</p>	 <p>58057678</p>	 <p>58057722</p>
	 <p>58057458</p>	 <p>58093089</p>	 <p>58057676</p>	<p>ZUM STARTEN</p> <ul style="list-style-type: none"> • DEN SEIL AUF DIE STARTSCHEIBE AUFWICKELN (WENN KEIN REVERSIERSTARTER VORHANDEN IST). • DER STARTERGRIF IN ENTSCHLOSSENER WEISE ZIEHEN, BEI DEM ELEKTROSTARTER SCHLÜSSEL DREHEN. • CHOKE DEFNEN. 	 <p>58057772</p>	 <p>58057724</p>				



600 serie MAX

ADESIVI

STICKERS
ADHESIVOS

AUTOCOLLANTS
AUFKLEBES

DALLA MACCHINA
DE LA MAQUINA
DE LA MACHINE
FROM THE MACHINE
AB DER MASCHINE

ON.

867450 (620-630-WS)
863996 (615L-S-SL)
864056 (615)

Rev. **M02** 3

11/2010

ZENE



Pos.	Id	Q.ty	Description	Note
58046932	58046932	1	DECAL	
58056864	58056864	1	DECAL	
58056867	58056867	1	DECAL	
58056868	58056868	1	DECAL	
58057458	58057458	1	DECAL	
58057625	58057625	1	DECAL	
58057676	58057676	1	DECAL	
58057678	58057678	1	DECAL	
58057722	58057722	1	DECAL	
58057724	58057724	1	DECAL	
58057732	58057732	1	DECAL	
58057746	58057746	1	DECAL	
58057747	58057747	1	DECAL	
58057748	58057748	1	DECAL	
58057767	58057767	1	DECAL	
58057768	58057768	1	DECAL	
58057770	58057770	1	DECAL	
58057771	58057771	1	DECAL	
58057772	58057772	1	DECAL	
58057773	58057773	1	DECAL	
58057774	58057774	1	DECAL	
58093089	58093089	1	DECAL	

